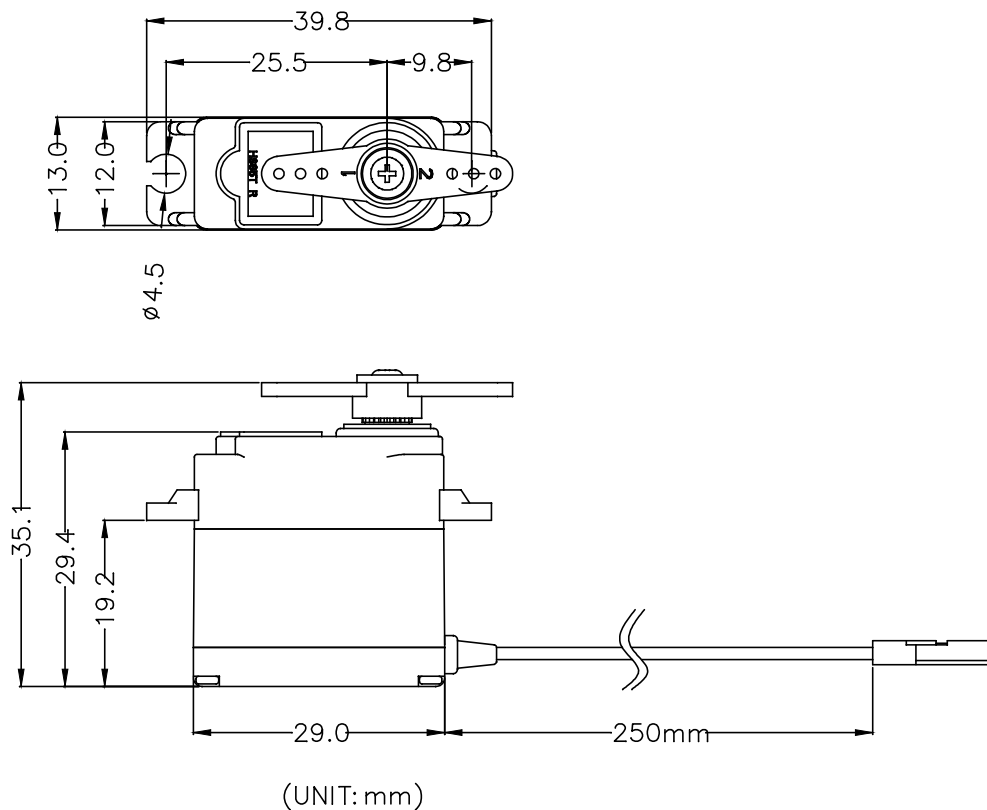


GENERAL SPECIFICATION OF MD85MG MAGNETIC ENCODER DIGITAL MICRO SERVO

1. TECHNICAL VALUE	
CONTROL SYSTEM	: +PULSE WIDTH CONTROL 1500usec NEUTRAL
OPERATING VOLTAGE RANGE	: 4.8V TO 6.0V
OPERATING TEMPERATURE RANGE	: -20° TO +60° (-4°F TO +140°F)
TEST VOLTAGE	: AT 4.8V AT 6.0V
OPERATING SPEED	: 0.17sec/60° AT NO LOAD 0.13sec/60° AT NO LOAD
STALL TORQUE	: *3.6kg.cm(50.0oz.in) *4.3kg.cm(59.71oz.in)
STANDING TORQUE	: - -
IDLE CURRENT	: -mA AT STOPPED -mA AT STOPPED
RUNNING CURRENT	: ---mA/60° AT NO LOAD RUNNING ---mA/60° AT NO LOAD RUNNING
STALL CURRENT	: 1,500mA 1,800mA
DEAD BAND WIDTH	: 2usec 2usec
OPERATING TRAVEL	: 40°/ONE SIDE PULSE TRAVELING 400usec
DIRECTION	: CLOCK WISE/PULSE TRAVELING 1500 TO 1900usec
MOTOR TYPE	: DC CARBON BRUSH
POTENTIOMETER TYPE	: MAGNETIC ROTARY ENCODER
AMPLIFIER TYPE	: DIGITAL AMPLIFIER & MOSFET DRIVER
DIMENSIONS	: 29x13x30mm(1.14x0.51x1.18in)
WEIGHT	: 25.0g(0.88oz)
BALL BEARING	: SINGLE/MR106
GEAR MATERIAL	: 5 METALS
HORN GEAR SPLINE	: 24 SEGMENTS/φ5.76
SPLINED HORNS	: MICRO/M-I, M-O, M-X
CONNECTOR WIRE LENGTH	: 250mm(9.84in)
CONNECTOR WIRE STRAND COUNTER	: 20EA
CONNECTOR WIRE GAUGE	: 28AWG



2. FEATURES

3. APPLICATIONS FOR SMALL MODELS