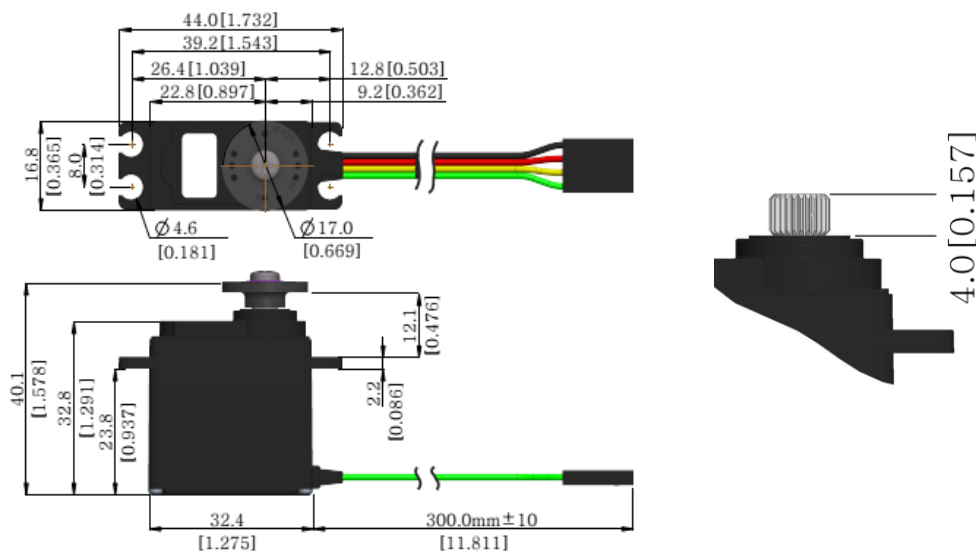


GENERAL SPECIFICATION OF MD245MW-CAN

UPDATE : 28-08-2018

Control System	CAN BUS			
	Protocol	Standard 2.0A	Extended 2.0B	UAVCAN
	Baud-Rate	10kbps ~ 1 Mbps		
	Sample-Point	50% or 87.5%		
	Available SERVO ID	1 ~ 65535		
	Available Node ID	1 ~ 65535	1~2147483647	1~127
Input Signal Range	-4 V to 16 V			
Potentiometer	Contactless encoder			
Operating Voltage Range	4.8 V ~ 6.0V			
Motor Type	DC (Coreless Metal Brush)			
MCU	32Bits			
TEST	Voltage	At 4.8V	At 6.0V	At 7.4V
	No Load Speed	0.17sec/60° (353°/sec) (58.83RPM)	0.13sec/60° (545°/sec) (90.9RPM)	0.11sec/60° (545°/sec) (90.90RPM)
	Stall Torque	4.2kg·cm (58.65oz.in)	5.2kg·cm (72.21oz.in)	6.4kg·cm (88.88oz.in)
	Standing Current	30mA	30mA	30mA
	No Load Running Current	110mA	150mA	190mA
	Stall Current	1000mA	1300mA	1600mA
	Operating Temperature Range	-20°C ~ +60°C (-4°F ~ +140°F)		
	Vibrations at No Load	MIL-STD-810G 514.6C-VII		
	Storage Temperature Range	-30°C ~ +80°C (-31°F ~ +176°F)		
Connector Wire Length	300mm(11.81in) /24AWG /Yellow : CAN Low, Green : CAN High			
Outline Dimensions	Metric (±0.2mm)	32.4 x 16.8 x 32.8mm	Inch	1.28 x 0.66 x 1.29 in
Weight (±10%)	Gram	34g	Ounce	1.2oz
Ball Bearing	Dual Ball Bearing / MR106			
Case Material	Engineering Plastic			
Gear Material	1 Metal-Plastic & 3 Metal Gears			
Gear Train Backlash	Max 0.5°			
Horn Gear Spline	H25T (25 Segment Ø6.0)			



UNIT : mm(Inch)