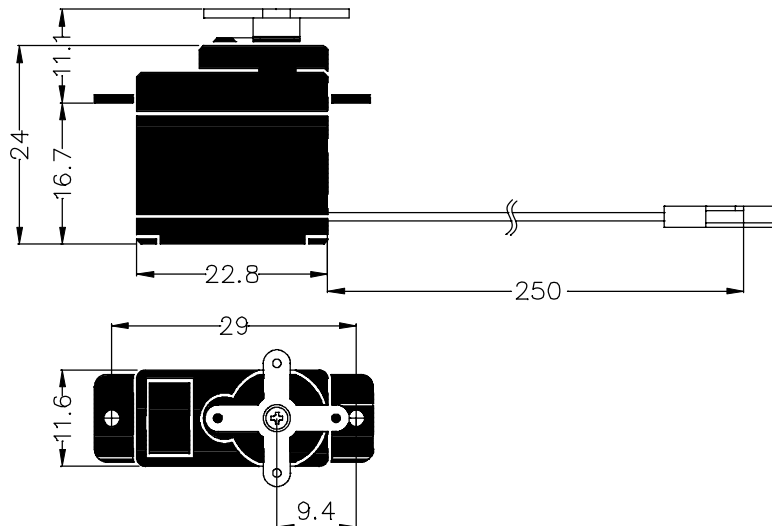


GENERAL SPECIFICATION OF HS-5055MG DIGITAL MICRO SERVO

1. TECHNICAL VALUE

CONTROL SYSTEM	: +PULSE WIDTH CONTROL 1500usec NEUTRAL (900~2100usec)
OPERATING VOLTAGE RANGE	: 4.8V TO 6.0V
OPERATING TEMPERATURE RANGE	: -20°C TO +60°C (-4°F TO +140°F)
TEST VOLTAGE	: AT 4.8V AT 6.0V
OPERATING SPEED	: 0.2sec/60° AT NO LOAD 0.17sec/60° AT NO LOAD
STALL TORQUE	: 1.3kg.cm(18.05oz.in) 1.6kg.cm(22.2oz.in)
IDLE CURRENT	: 8mA MAX AT STOPPED 8mA MAX AT STOPPED
RUNNING CURRENT	: 120mA/60° AT NO LOAD 150mA/60° AT NO LOAD
STALL CURRENT	: 500mA 700mA
DEAD BAND WIDTH	: 6usec 6usec
OPERATING TRAVEL	: 40°/ONE SIDE PULSE TRAVELING 400usec
DIRECTION	: CLOCK WISE/PULSE TRAVELING 1500 TO 1900usec
MOTOR TYPE	: CORED METAL BRUSH
POTENTIOMETER TYPE	: 2 SLIDER/DIRECT DRIVE
AMPLIFIER TYPE	: DIGITAL AMPLIFIER & MOSFET DRIVER
DIMENSIONS	: 22.8x11.6x24mm(0.89x0.45x0.94in)
WEIGHT	: 9.5g(0.33oz)
GEAR MATERIAL	: 1 RESIN/4 METAL
HORN GEAR SPLINE	: 15 SEGMENTS/φ4
SPLINED HORNS	: FEATHER/FS-X,FS-IS,FS-IL,FS-IXL
CONNECTOR WIRE LENGTH	: 250mm(9.84in)
CONNECTOR WIRE STRAND COUNTER	: 20 EA
CONNECTOR WIRE GAUGE	: 28AWG



2. FEATURES

LOW WEIGHT
TWO ADJUSTABLE SPLINED HORNS

3. APPLICATIONS

SMALL PLANES
GLIDERS
ELECTRIC HELI