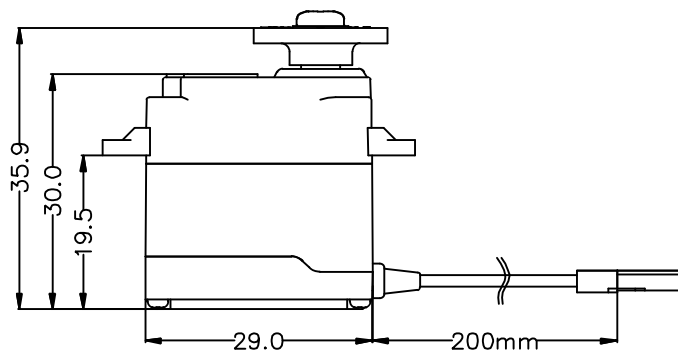
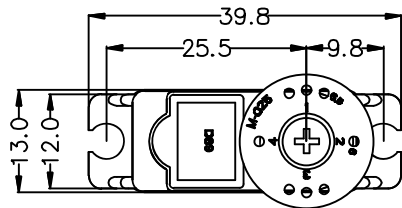


GENERAL SPECIFICATION OF D89MW MICRO SIZE CORELESS MOTOR TORQUE SERVO

1. TECHNICAL VALUE

CONTROL SYSTEM	:+PULSE WIDTH CONTROL 900~2100us, 1500us NEUTRAL		
OPERATING VOLTAGE RANGE	:4.8V TO 7.4V		
OPERATING TEMPERATURE RANGE	:-20° C TO +60° C (-4° F TO +140° F)		
TEST VOLTAGE	:AT 4.8V	AT 6.0V	AT 7.4V
OPERATING SPEED	:0.17sec/60° AT NO LOAD	0.13sec/60° AT NO LOAD	0.11sec/60° AT NO LOAD
STALL TORQUE	:4.8kg.cm(67.02oz.in)	6.0kg.cm(83.78oz.in)	7.4kg.cm(103.33oz.in)
STANDING TORQUE	:-		
IDLE CURRENT	:30mA AT STOPPED	30mA AT STOPPED	30mA AT STOPPED
RUNNING CURRENT	:200mA	250mA	300mA
STALL CURRENT	:1,500mA	1,900mA	2,100mA
DEAD BAND WIDTH	:1us	1us	1us
OPERATING TRAVEL	:40±5° /ONE SIDE PULSE TRAVELING 400usec		
DIRECTION	:CLOCK WISE/PULSE TRAVELING 1500 TO 1900usec		
MOTOR TYPE	:CORELESS METAL BRUSH		
POTENTIOMETER TYPE	:1M CYCLE LONG LIFE/INDIRECT DRIVE		
AMPLIFIER TYPE	:DIGITAL AMPLIFIER WITH MOSFET DRIVE		
DIMENSIONS	:29x13x30mm(1.14x0.51x1.18in)		
WEIGHT	:25.0g(0.88oz)		
BALL BEARING	:DUAL/MR106/M85		
GEAR MATERIAL	:1 METAL-PLASTIC & 3 STEEL GEARS		
HORN GEAR SPLINE	:25 SEGMENTS/Ø6.00		
SPLINED HORNS	:M-O25		
CONNECTOR WIRE LENGTH	:200mm(7.87in)		
CONNECTOR WIRE STRAND COUNTER	:60EA		
CONNECTOR WIRE GAUGE	:22AWG		



2. FEATURES

PROGRAMMABLE HIGH RESPONDENCE DIGITAL AMPLIFIER WITH MOSFET DRIVE
DURABLE METAL GEARS WITH DUAL BALL BEARING

3. APPLICATIONS

1500mm Wing Span Air Plane